

---

*Comfort-Aire*®

**Century**®



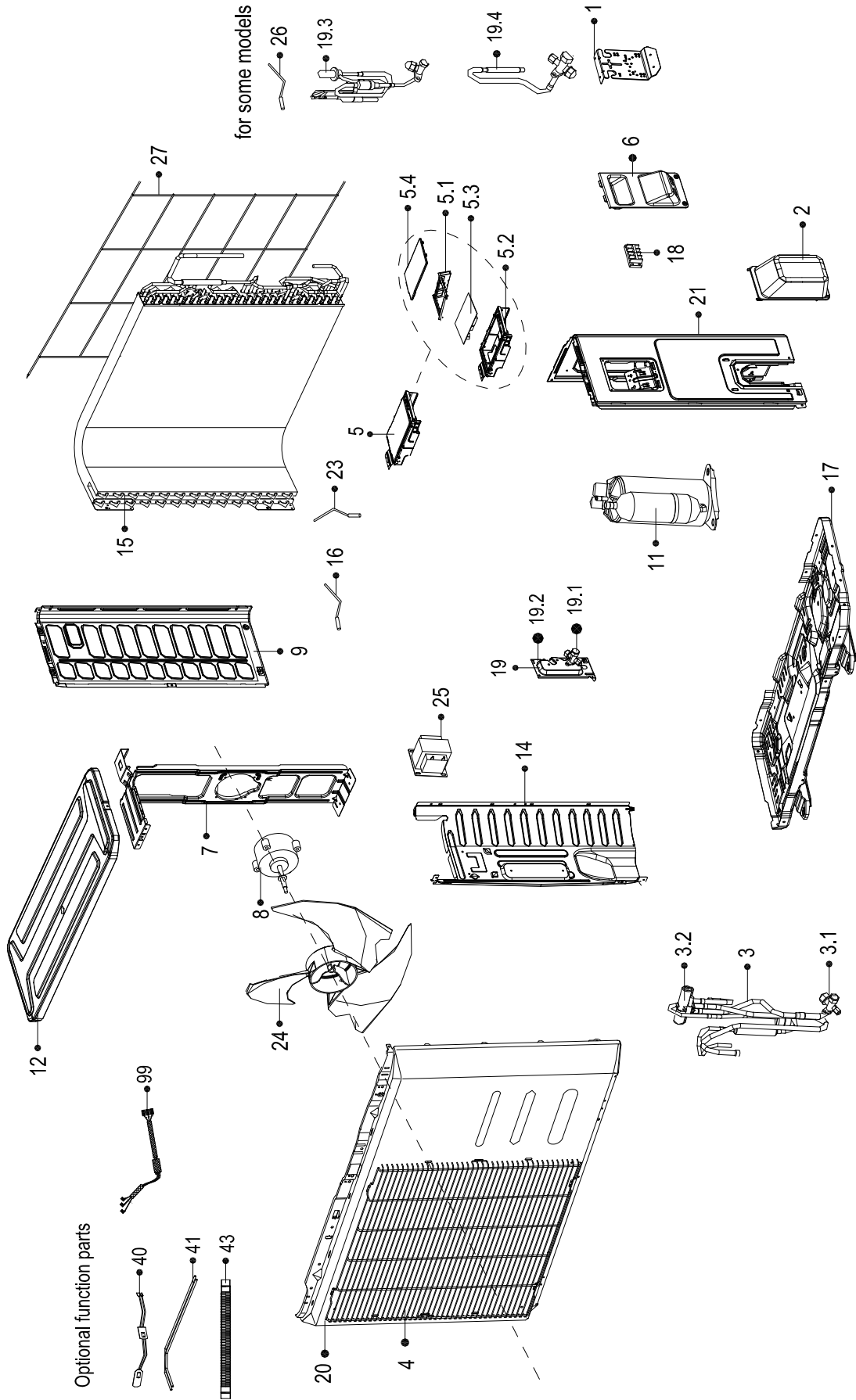
---

REPLACEMENT PARTS LIST

**Single Zone Low Temperature  
Ductless Mini-Split**

A-VMH18SU-1A

# EXPLODED VIEW



## REPLACEMENT PARTS

| Location | Part Name                              | Quantity | Part No.       |
|----------|--|----------|----------------|
| 1        | Terminal instalation subassembly       |          | 12222000004782 |
| 2        | Water collector                        |          | 12122000007150 |
| 3        | 4-way valve assembly                   |          | 15422000004795 |
| 3.1      | Gas valve                              |          | 15500204000046 |
| 3.2      | 4-way Valve                            |          | 15500216000026 |
| 4        | Air outlet grille                      |          | 12222000007425 |
| 5        | Electronic control box subassembly     |          | 17222000009213 |
| 5.1      | Support of electronic control box      |          | 12122000014683 |
| 5.2      | Electronic installing box subassembly  |          | 12222000004827 |
| 5.3      | Outdoor main control board subassembly |          | 17122000018581 |
| 5.3.1    | Electronic installing box subassembly  |          | 12122000006856 |
| 6        | Big handle assembly                    |          | 12222000005102 |
| 7        | Supporter subassembly of fan motor     |          | 12222000004884 |
| 8        | Brushless DC Motor                     |          | 11002015000397 |
| 9        | Left side plate assembly of cabinet    |          | 12222000004831 |
| 11       | DC Inverter Rotary Compressor          |          | 11103020000179 |
| 12       | Top cover assembly                     |          | 12222000004835 |
| 14       | Partition board assembly               |          | 12222000004784 |
| 15       | Condenser assembly                     |          | 15822000008240 |
| 16       | Room Temperature Sensor                |          | 11201007002020 |
| 17       | Chassis assembly                       |          | 12222000004824 |
| 18       | Terminal                               |          | 17400401000075 |
| 19       | Liquid valve assembly                  |          | 15422000004796 |
| 19.1     | Liquid valve                           |          | 15500208000028 |
| 19.2     | Valve plate                            |          | 12222000002571 |
| 19.3     | Electronic expansion valve             |          | 15500213000178 |
| 20       | Front panel assembly                   |          | 12222000006304 |
| 21       | Right side plate                       |          | 12222000004830 |
| 23       | Pipe Temperature Sensor                |          | 11201007000069 |
| 24       | Axial flow fan                         |          | 12100105000181 |
| 25       | Reactor                                |          | 17400306000058 |
| 26       | Discharge Temperature Sensor           |          | 11201007000005 |
| 27       | Rear net                               |          | 12222000004833 |
| 40       | Crankcase electric heater              |          | 17402001000119 |
| 41       | Electric heating tube (pan heater)     |          | 17402002000043 |
| 43       | Drain pipe                             |          | 12100509000059 |
| 99       | Compressor wire subassembly            |          | 17401203000939 |

---

Due to ongoing product improvements, specifications and dimensions are subject to change and correction without notice or incurring obligations. Determining the application and suitability for use of any product is the responsibility of the installer. Additionally, the installer is responsible for verifying dimensional data on the actual product prior to beginning any installation preparations.

Incentive and rebate programs have precise requirements as to product performance and certification. All products meet applicable regulations in effect on date of manufacture; however, certifications are not necessarily granted for the life of a product. Therefore, it is the responsibility of the applicant to determine whether a specific model qualifies for these incentive/rebate programs.

*Comfort-Cire*®  **Century**®

1900 Wellworth Ave., Jackson, MI 49203 • Ph. 517-787-2100 • [www.marsdelivers.com](http://www.marsdelivers.com)

